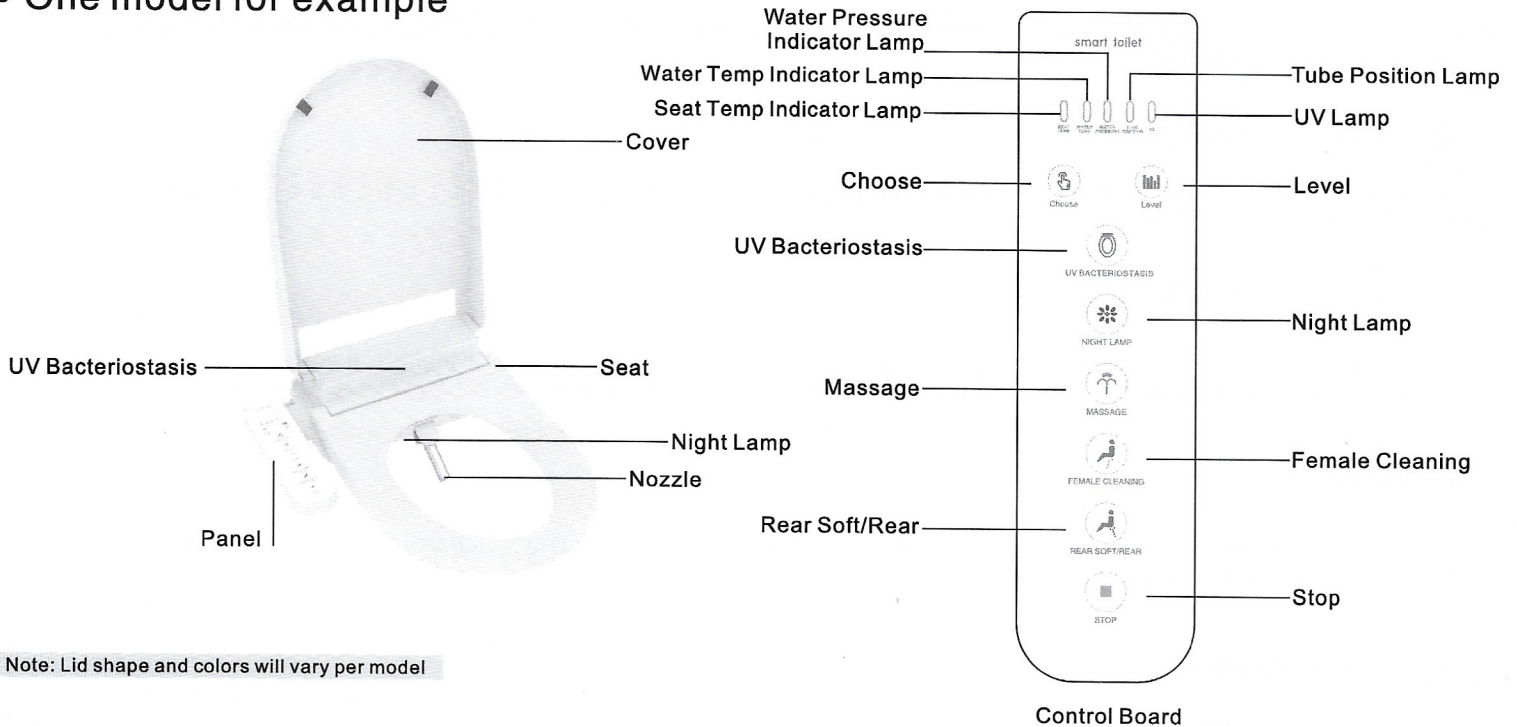


# Introduction Of Basic Structure And Control Board

## Intelligent toilet seat

- One model for example



-06-

## Function Description — Intelligent toilet seat

### CLEANING FUNCTIONS

1. Rear soft - Soft and satisfying water spray with specially designed aerated pump for better cleaning.
2. Female cleaning - Soft aerated mist for gentle feminine cleaning.
3. Oscillating cleaning - Nozzle automatically moves back and forth for improved cleaning.
4. Nozzle position adjustment - Manual setting to accurately aim at the desired water spray target.
5. Massage - Automatic water temperature variation to help relieve constipation.
6. Water pressure adjustment - Four levels of spray intensity to decide the most comfortable for you.

### COMFORT, CONVENIENCE, HYGIENE

1. Instant water heating - On demand water heating saves energy and provides constant water temperature.
2. Heated toilet seat - Heated seat will keep you warm and cozy in early mornings, evenings and during winter months.
3. Temperature adjustment - Four levels of toilet seat and water temperature for ultimate comfort.
4. Integrated control board - Convenient side panel control configures your personalized settings within easy reach.
5. Self cleaning nozzle - Designed with stainless steel to repel substances, it self-cleans before and after each use for best sanitation.
6. UV sterilization - Advanced UV lamp to sterilize and disinfect the toilet cover and seat
7. Automatic deodorizer - Integrated air filter prevents odors from leaving the toilet.
8. Night light - Integrated night light helps prevent accidents during evening hours.
9. Soft action - Non-slamming toilet seat and cover slowly lift and close.

# The Brief Introduction Of Control Board — Function Details —

## I Rear Soft/Rear button

While seated on toilet, press REAR SOFT/REAR button to start water spray. Press button again to start oscillating feature, press again to stop oscillation

## II Female Cleaning button

While seated on toilet, press FEMALE CLEANING button to start water spray. Press button again to start oscillating feature, press again to stop oscillation.

## III Oscillating Cleaning feature

During Rear Soft or Female Cleaning functions, press REAR SOFT or FEMALE CLEANING button again to start automatic oscillating movement of the water spray. Cleaning performance is increased with oscillating feature turned on.

## IV Massage button

During Rear Soft or Female Cleaning functions, press MESSAGE button to start automatic sequence change from warm to cool water temperature. Press MESSAGE button again to stop function

## V Deodorizing feature

When appliance detects a person sitting on toilet seat, the deodorizer feature starts automatically. The deodorizer will continue for one minute after person has left the toilet seat

-07-

# The Brief Introduction Of Control Board And Maintenance

## Function Details

### VI Night Lamp button

Automatic mode - the night light will turn on when you open the lid, the night light will turn off when you close the lid. Manual mode - press the night light button on control panel for more than 3 seconds to change the automatic function from on to off.

### VII Choose button

Press CHOOSE button on control panel to sequence through the available functions. When the light of the function you wish to adjust is ON, then press the LEVEL button to cycle through settings. The red color light is the highest level and the green color light is the lowest. You can press the LEVEL button continuously for faster adjustment.

### VIII UV Bacteriostasis button

Manual mode - close the lid, press the UV BACTERIOSTASIS button on control panel, UV sterilization starts and turns off after five minutes.

Automatic mode - When UV sterilization is working, open cover, UV sterilization stops working automatically

Please clean and maintain product as follows

Unplug power cord.

Wipe with a soft cloth that has been soaked in water and wrung-out thoroughly.

For heavy dirt, wipe with a soft cloth soaked in diluted, neutral kitchen detergent, and then wipe with a soft moist cloth.

Do not splash water on control panel to avoid risk of permanent damage.

-08-

# Installation Instruction — Intelligent toilet seat

## Installation

- Install the intelligent toilet seat.
  1. Remove the existing toilet seat on your toilet.
  2. Look at pictures 1 and 2 on page 10. Install all the accessories and appliance replacing the existing toilet seat.
  3. Hold down the side mounting bar, Align the toilet seat with the mounting plate, Push the toilet seat into the mounting plate.

## ● Installation instructions for waterways

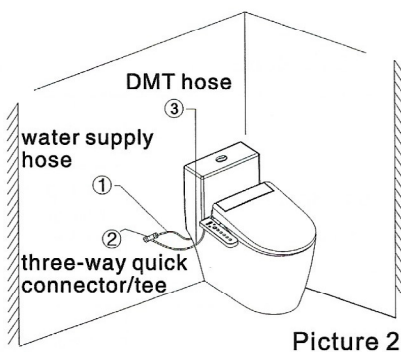
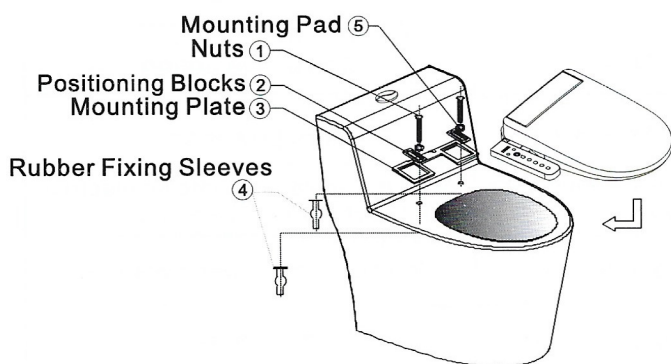
1. Close the water supply angle valve
2. Connect the tee to the water supply angle valve and tighten the nut
3. Connect the water supply hose to the tee and tighten the nut
4. Connect the DMT hose to three-way quick connector, one end to the toilet in let, and one end to the three-way quick connector
5. Confirm that after the water supply valve is opened there is no water leakage from pipes, hoses, or appliance.

We recommend hiring a professional technician (plumber and/or electrician) to install the appliance. Check that all parts are installed correctly and appliance functions as indicated.

-09-

# Instruction And Confirmation Before Using — Intelligent toilet seat

## I Structure



- Installation instructions for waterways
1. Close the water supply angle valve
  2. Connect the tee to the water supply angle valve and tighten the nut
  3. Connect the water supply hose to the tee and tighten the nut
  4. Connect the DMT hose to three-way quick connector, one end to the toilet inlet, and one end to the three-way quick connector
  5. Ensure that the water supply angle valve is opened after the error is correct, and there shall be no water leakage or water seepage in the pipeline connection

## I Connect power

Connect the power plug to power outlet, the product will set up automatically, finish set-up in 10 seconds.

## II Connect water

Open water shutoff valve and confirm there are no water leaks

## III Check indicator light

Check indicator light is on. If not, check power outlet

-10-